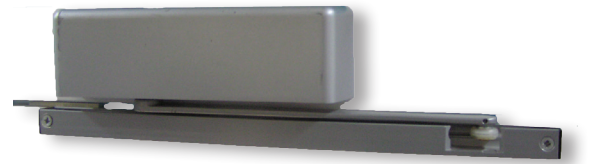


LCN®

4020T ST Series

Door controls



The LCN 4020T-ST1895 and ST1895-1 Series door closers are specifically designed and templated for pivoted accessible door applications. Under normal operation, the closer allows pivoted doors to open inwards and self close in a controlled manner. In the event of an emergency and an obstruction prevents the door from opening inwards, provided a removable stop is present, the innovative design means the closer arm can disengage from the track, allowing the door to open outwards to provide unimpeded access.

The LCN 4020T-ST Series is a heavy duty closer designed to be used on aluminium, hollow metal or wood pivoted doors that have a removable frame stop and is ideally suited for accessible bathrooms and toilets in commercial applications.

Features

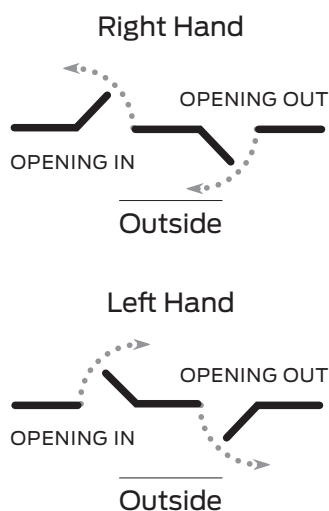
- Closer cylinder constructed of high strength cast iron for high durability
- Sized cylinders for interior doors to 1219mm
- Closing power of all 4020T Series closers may be increased by 15%
- All adjustment valves concealed behind cover to prevent tampering
- Optional track bumper available to assist backcheck in cushioning the opening swing of the door
- 4000 Series door closers tested to meet ANSI/BMHA A156.4 Standard of 1,500,000 operating cycles
- Two models available to suit doors with 0 to 3mm frame reveal and 4mm to 50mm frame reveal
- Door closer arm disengages from track when opened outwards, providing unimpeded access
- Ideally suited to operate with Legge 13302 emergency access hinge set or 13303 stainless steel pivot hinge set and 13312 retractable door stop
- Independent adjustment valves for adjusting backcheck, closing and latching speeds
- The 30 year warranty provides specifiers and users with assured quality and performance

Specification guide

Series	Function	Handing	Finish
Strength 1 LCN4021T	0 to 3mm reveal ST1895	Left hand LH	Aluminium ALUM
Strength 3 LCN4023T	3 to 50mm reveal ST1895-1	Right hand RH	
Strength 4 LCN4024T			

- Series
Select the desired series e.g. LCN 4021T Series LCN4021T
- Function
Select the required function LCN4021T-ST1895
- Handing
Select the desired handing e.g. Left hand LCN4021T-ST1895LH
- Finish
Select the desired finish e.g. Aluminium LCN4021T-ST1895LHALUM

Handing guide



Specifications

Door type	Timber or metal
Door size	Size 1 Internal door 660mm-868mm Size 3 Internal door 868mm-965mm Size 4 Internal door 965mm-1219mm
Applications	Top jamb - pull side mount
Adjustment controls	Closing speed Latching speed Backcheck
Strength	Size 1 - fixed strength Size 3 - fixed strength Size 4 - fixed strength
Options	Adaptor plate
Finish	Aluminium
Warranty	30 year mechanical

Selection chart

Select closer based on width of door

Strength	Exterior door	Interior door
1	NA	660mm-868mm
3	NA	868mm - 965mm
4	NA	965mm - 1219mm

The LCN 4020T-ST Series door closers are designed to provide reduced opening forces when specified at size 1, which when combined with the unique "break out" arm feature, makes them ideal for accessible bathroom or toilet applications

Regulating controls

The LCN 4020T-ST has independent regulators to control:

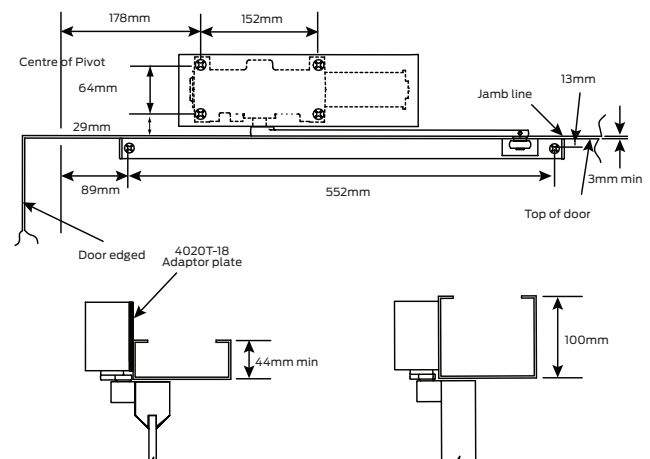
Closing speed	Adjustment to increase or decrease the speed at which the door closes. This allows the appropriate momentum to close the door in a safe and secure manner. Closing speed adjustment operates from the maximum opening to 15°
Latching speed	The latching speed allows the door to close quietly and firmly. It can be adjusted to increase or decrease the speed at which the door finally closes. This assists the final stage of the closing cycle to help overcome stubborn latch bolts or air pressure conditions. Alternatively the latching speed can be decreased to cushion the door into the frame. The latching speed adjustment operates from 15° to closing
Backcheck	Adjustable hydraulic backcheck provides a cushioning effect when the door is forcibly thrown open to prevent damage to the closer, door and frame. The backcheck adjustment allows the level of resistance in the latter stage of opening to be set at the level required. Backcheck is effective from 75°. Backcheck is a requirement for all fire rated closers
Power adjustment	Spring strength may be increased 15% by turning the allen head screw located in the end of the door closer body

Mounting details

Top jamb (pull side) mounting

LCN4020T-ST1895 Track Arm Door Closer

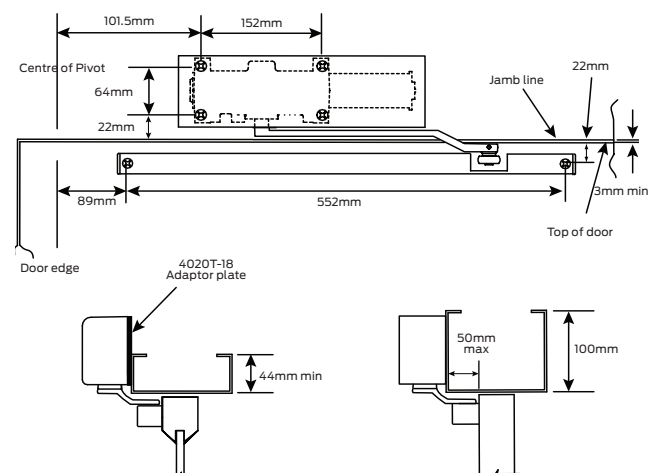
With straight arm for pivoted doors with maximum reveal of 3mm. Top jamb mounting has a maximum opening of 180°. The hold open clip allows the door to be held open at the following points; 80°, 85°, 90°, 95° or 100°. The reveal on the hinge side should not exceed 3mm. A head frame less than 98mm requires an adaptor plate. The plate requires a 44mm minimum head frame. Clearance of 38mm behind door is required for 90° or 180° installation



Top jamb (pull side) mounting

LCN4020T-ST1895-1

With cranked arm for pivoted doors with a 3mm to 50mm maximum reveal. Top jamb mounting has a maximum opening of 180°. The hold open clip allows the door to be held open at the following points; 80°, 85°, 90°, 95° or 100°. The reveal on the hinge side should not exceed 50mm. A head frame less than 98mm requires an adaptor plate. The plate requires a 44mm minimum head frame. Clearance of 38mm behind door is required for 90° or 180° installation



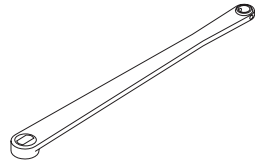
Left hand application shown. Right hand opposite.

Note: Metal door frames should be reinforced to provide adequate fixing support for the door closer body. LCN4020T-18 adaptor place should be used for hollow metal frames. All components for the ST1895 and ST1895-1 models are handed and are not interchangeable

4020T Series accessories

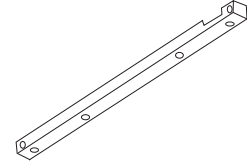
Track arm 4020T-ST1895

Standard, handed arm mounts pull side, top jamb. Track roller is not included with arm. roller is not included with arm
Finish: Aluminium



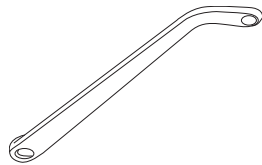
Track 4020T-ST1895-3038

Handed, non-hold open track mounts pull side of the door. roller is not included with arm
Finish: Aluminium



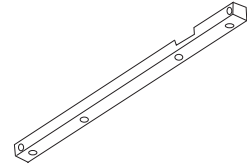
Track arm 4020T-ST1895-1

Special double egress, handed arm mounts pull side, top jamb. Track roller is not included with arm. roller is not included with arm
Finish: Aluminium



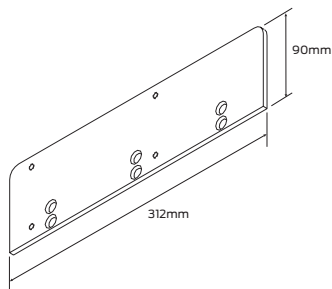
Track 4020T-ST1895-1-3038

Handed, non-hold open track mounts on pull side of the door, roller is not included with arm
Finish: Aluminium



Adaptor plate 4020T-18

An adaptor plate requires a 44mm minimum top rail



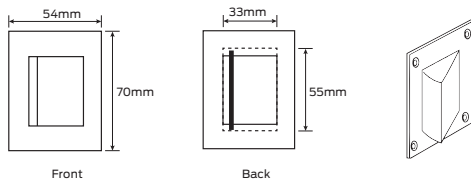
Track roller 4020T-3034

Quiet, low friction roller assembly



13312 Retractable door stop

Finish: Satin stainless steel



13303 Stainless steel pivot hinge set

Door weight up to 80kg
Finish: Satin stainless steel

